



The C 100 is a high quality, high resolution, multi-standard IP camera which can operate in both digital and analog environments (PAL or NTSC). It can be linked directly to a local Ethernet network or to the Internet, and simultaneously to an analog surveillance system via its video output connector.

It supports network transmission using M-JPEG/HTML together with H.323 or MPEG-4 (selectable by software upload) ensuring top quality live video transmission over IP networks. Camera control and picture display can be done via any standard web browser easily and user-friendly.

Optimum performance with full functionality are achieved when the C 100 is used in conjunction with a VCS software decoder (e.g. PROVIDo or VIDOS). The camera boasts full remote control and multicasting as well as intelligent alarm features for professional CCTV applications. Its bi-directional serial interface supports the remote control of external devices such as pan/tilt heads.

### HIGHLIGHTS

- ❑ Live video over Ethernet
- ❑ Support DC iris control lenses
- ❑ MPEG-4 or H.323 video with 2CIF resolution
- ❑ Signal to noise-ratio 48 dB for clear pictures
- ❑ M-JPEG with 720x576/480 pixel
- ❑ Remote control via web browser
- ❑ Wide dynamic CCD
- ❑ Sophisticated motion detector integrated
- ❑ High sensitivity up to 0.03 lx
- ❑ Comprehensive security functions
- ❑ Resolution up to 480 TV lines
- ❑ Multicasting

# TECHNICAL DATA

## Specifications

Standards	H.323 (selectable by SW upload) MPEG-4
Video Standards	H.261/H.263, M-JPEG (selectable by SW upload) MPEG-4, M-JPEG
Video Data Rate	10 kBit/s - 1 MBit/s
Video Encoder	704 x 288 2CIF 352 x 288 CIF 176 x 144 QCIF
Network Protocols	RTP, RTCP, UDP, TCP, IP, HTTP, IGMP, ICMP, ARP, DHCP, FTP
Software Update Configuration	Flash ROM, remote programmable Via Web browser, built-in Web server

## Camera Specifications

Image Sensor	1/3" color CCD
Resolution	470 (h) x 410 (v) TV lines (PAL) 480 (h) x 350 (v) TV lines (NTSC)
S/N Ratio	48 dB (AGC off)
Sensitivity	Standard 3 lux Sensitivity up 0.03 lux
Dynamic Range	46 dB (WDR on)
Electronic Shutter	1:500 (F 1.4 - 31) 1/50, 1/120, 1/125, 1/250, 1/500, 1/1,000, 1/2,000, 1/4,000, 1/10,000
White Balance	ATW, AWB, manual
AGC	Off, automatic, manual 0 - 16 dB
Sensitivity Up	Off, 2x, 4x, 8x, 10x, 16x, 24x, 32x
Lens Mount	CS
Lens Types	Fixed iris, manual iris, automatic iris (DC controlled)

## Interfaces

Video Out	1 x analog composite: NTSC or PAL; BNC connector 75 Ω, 1 Vpp
Trigger Input	1 x clamp (non-isolated closure contact type), max. 24 V, max. activation resistance 10 Ω
Relay Output	1 x clamp, max. 40 V, 0.8 A
COM-Port	1 x RS232/422/485, 9-pin Sub-D
Ethernet	10 Base-T, half/full duplex, RJ45

## Power, Environmental, Approvals

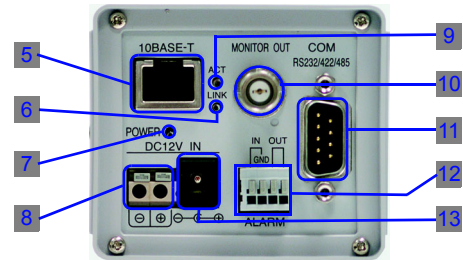
Input Voltage	10.8 - 15.8 V DC
Power Consumption	App. 12 VA
Weight	App. 0.750 kg
Operating Temperature	5 - 40 °C ambient temperature
Humidity	20 - 80%, atmospheric humidity (not cond.)
Approvals	EN 55022; EN 50130-4; EN 55024; EN 61000-4-2, -4-3, -4-5, -4-6, -4-11, -3-2, -3-3; UL 60950; FCC part15 class A

## Side



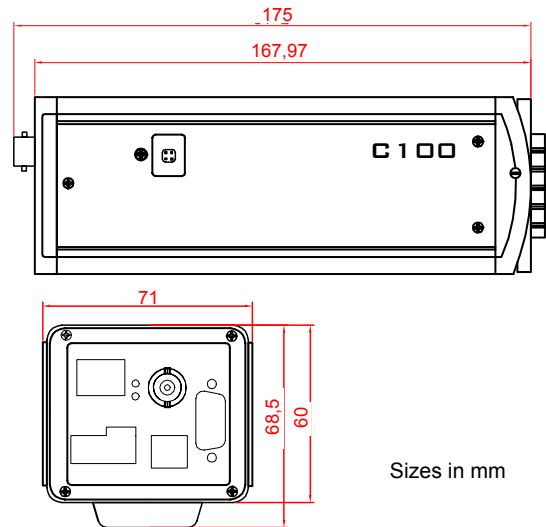
- 1 Potentiometer
- 2 4-pin standard jack
- 3 Securing screw
- 4 Focus ring

## Rear



- 5 RJ45 jack 10BASE-T
- 6 LED LINK
- 7 LED POWER
- 8 Plug-in terminals DC12V
- 9 LED ACT
- 10 BCN connector MONITOR OUT
- 11 COM port
- 12 ALARM IN/OUT
- 13 Jack DC12V

## Dimensions



Sizes in mm

## ORDERING INFORMATION

Article-Code	Description
2722/0	C 100 IP camera (PAL)
2722/1	C 100 IP camera (NTSC)
7002	Kit IPCam - Accessory Pack with wall mount bracket, vary focal lens 3.5-8 mm DC controlled, plug-in power supply*
On request	Web Toolkit, VCS SDK, RCP Reference

\*plug-in power supplies for EU, US or UK

### Content of Delivery

- C 100 IP camera
- RS232 Null modem cable, 4-pin Lens plug kit
- 'Quick Set-up Guide' german/english
- CD-Rom with manual (german/english) and VCS software



Forchheimer Strasse 4  
90425 Nuremberg/Germany  
Phone: +49-911-93 456-0  
Fax: +49-911-93 456-66

E-mail: info@vcs.com  
Internet: http://www.vcs.com